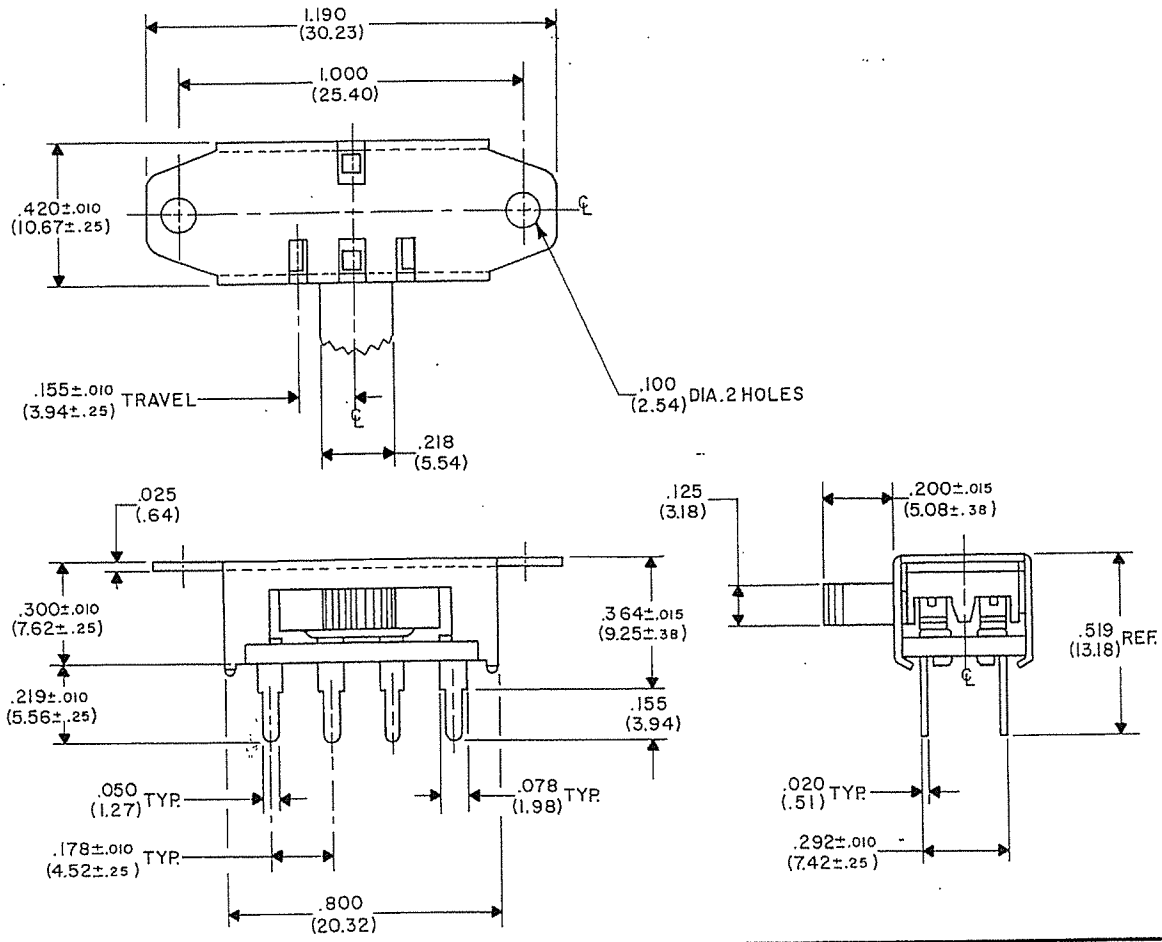


DIMENSIONS IN INCHES (METRIC-MILLIMETERS)
DO NOT SCALE DRAWING..

Drawing Number
GI-154-0001



REVISIONS
3
REDRAWN & UPDATED
B.D. 1-22-85 J/2

ATTENTION
THIS DRAWING AND ITS ATTACHMENT, IF ANY, ARE PROPRIETARY TO CW INDUSTRIES AND DESCRIBE DESIGNS THAT ARE CONFIDENTIAL AND MUST NOT BE DISCLOSED UNLESS AUTHORIZED, IN WRITING, BY AN OFFICER OF CW INDUSTRIES.....

PDF File Made

CW INDUSTRIES
Southampton, Pa. 18966

TOLERANCES UNLESS OTHERWISE SPECIFIED

2 Place decimal ± .010	METRIC
3 Place decimal ± .005	1 Place dec. ± .25MM
Angles ± 1°	2 Place dec. ± .13MM

Made for CW
Drawn by B. DeRosier 1-22-84
Checker J/2 1-22-85
Eng. appt. J/2 1-22-85

SWIDGET ASSEMBLY
SYDEWINDER
D.P.-3POS.

Division **SWITCH**
Drawing Number
GI-154-0001